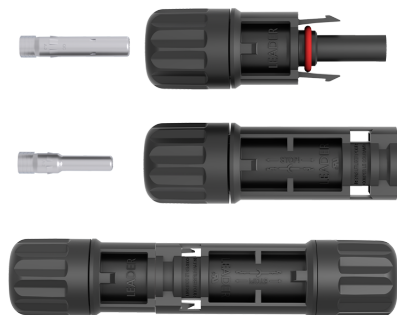


PV-BN101A Solar Connector



IEC 1500V
UL 1500V



UL: 6703
IEC: 62852



-40°C~85°C



UL94-V0



IP 68



UV Resistance

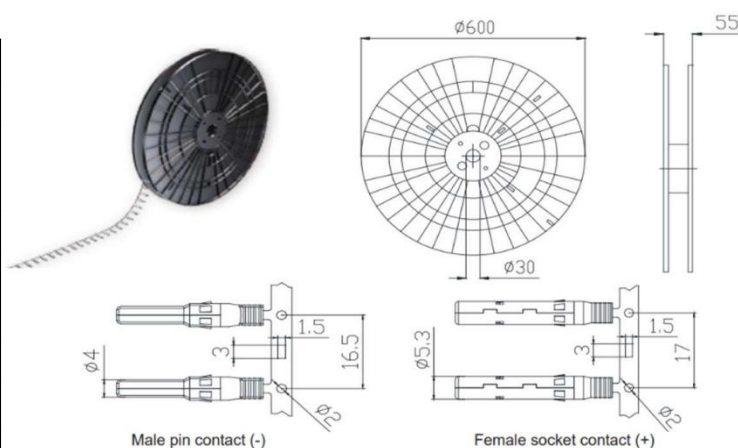


Product Overview

PV-BN101A connectors use high quality materials that guarantee long-term reliability. Lower contact resistance and higher current transfer capability ensure high product efficiency. PV-BN101A connectors have IP68 water-proof rating and can be used in a wide operating temperature range from -40 °C to 85°C.

Technical Data

Rated Voltage	IEC 1500V/UL1500V
Certification	IEC 62852; UL 6703
Rated Current	35A/40A
Ambient temperature	-40°C up to +85°C
Contact Resistance	≤0.25mΩ
Pollution Degree	Class II
Protection Degree	Class II
Fire Resistance	UL94-V0
Rated Impulse Voltage	16KV
Locking System	NEC Locking Type



Order Data

Part No.	Cable OD Range/mm	Cable Cross Section	Standard Package Unit	Description
PV-BN101A-F1	4.7mm~6.0mm	2.5mm ² /4mm ² 14AWG/12AWG	500 pairs / Carton	Full Pairs
PV-BN101A-F1-MH			500 pcs / package	F2 Male Housing
PV-BN101A-F1-FH			500 pcs / package	F2 Female Housing
PV-BN101A-MT			500 pcs / package or 2500 pcs / Reel	Male terminal
PV-BN101A-FT			500 pcs / package or 2500 pcs / Reel	Female terminal
PV-BN101A-F2	5.6mm~6.9mm	4mm ² /6mm ² 12AWG/10AWG	500 pairs / Carton	Full Pairs
PV-BN101A-F2-MH			500 pcs / package	F2 Male Housing
PV-BN101A-F2-FH			500 pcs / package	F2 Female Housing
PV-BN101A-MT			500 pcs / package or 2500 pcs / Reel	Male terminal
PV-BN101A-FT			500 pcs / package or 2500 pcs / Reel	Female terminal
PV-BN101A-F6	6.9mm~8.7mm	10mm ² 8AWG	500 pairs / Carton	Full Pairs
PV-BN101A-F6-MH			500 pcs / package	F6 Male Housing
PV-BN101A-F6-FH			500 pcs / package	F6 Female Housing
PV-BN101A-MT			500 pcs / package or 2500 pcs / Reel	Male terminal
PV-BN101A-FT			500 pcs / package or 2500 pcs / Reel	Female terminal